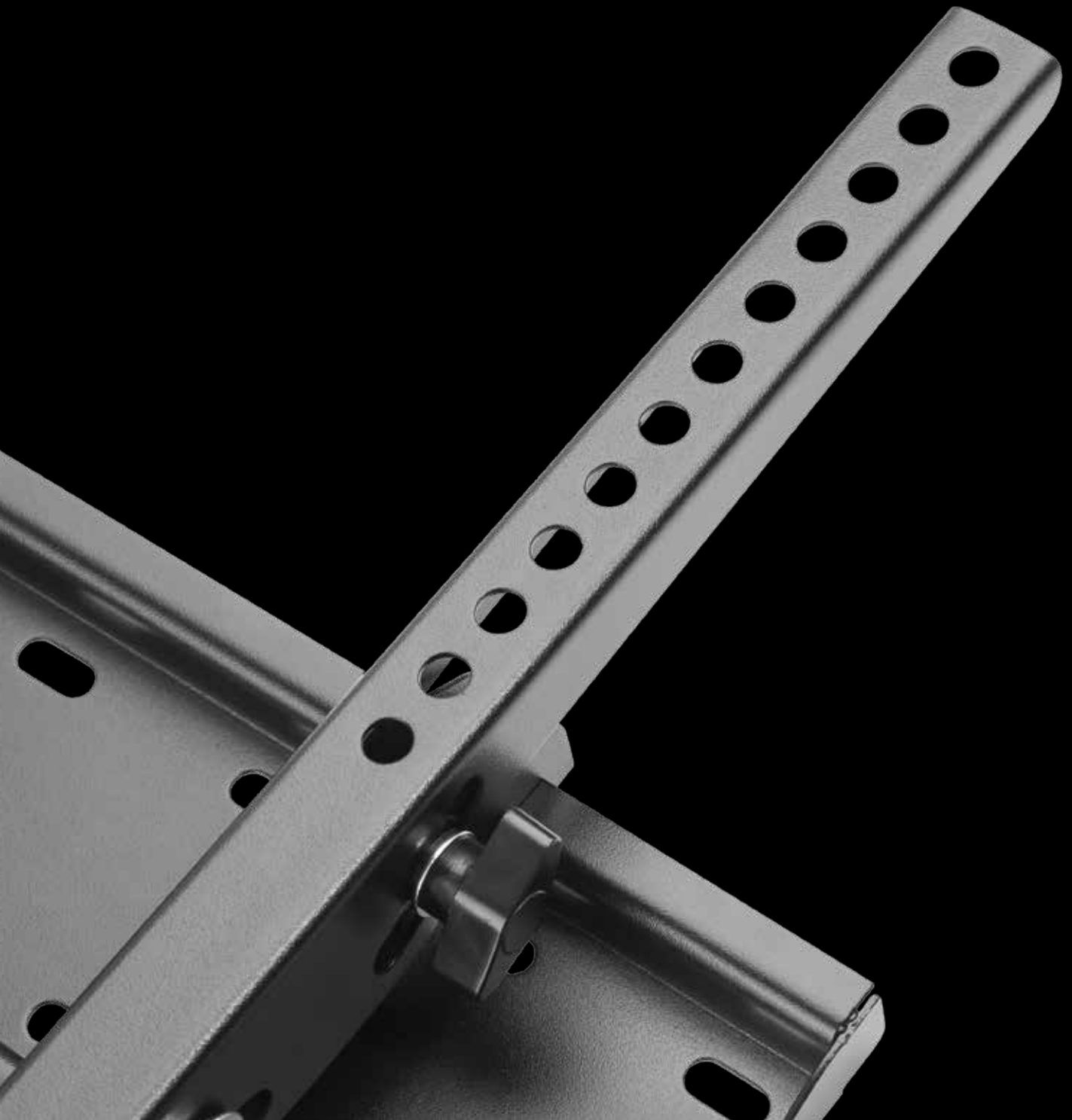




MOUNT SOLUTIONS

PROJECTION SCREENS

napofix.pt





MORE THAN 30 YEARS OF LEADERSHIP IN THE PORTUGUESE MARKET

Napofix has been operating in the audiovisual market since 1990, focusing on the development and production of projection screens and mounts for a wide av industry range.

Its permanent commitment to innovation and constant updating to the most current needs of the market has earned it the recognition of the sector over the years, directing its commercial strategy to the main distributors.

With its own production in asia, napofix has actually the right answer to a wide range of applications, from the most complex pro av solution to the simplest utility bracket, always with its quality warranty seal.

INDEX

AV SOLUTIONS

Floor Cart Mounts	06
Floor Free Stand Mounts	11
Floor Bolted Mounts	17
Ceiling Mounts	27
Ceiling to Floor Mounts	35
Wall Mounts	40
Table Mounts	54
Accessories for AV Solutions	55
Parts & Components for Modular Series	56

01

IT SOLUTIONS

Floor Mounts	62
Desk Mounts	64
Wall Mounts	70
Accessories for IT Solutions	71

02

PROJECTION SOLUTIONS

Electric Screens	74
Manual Screens	75
Tripod Screens	76
Projector Mounts	77

03

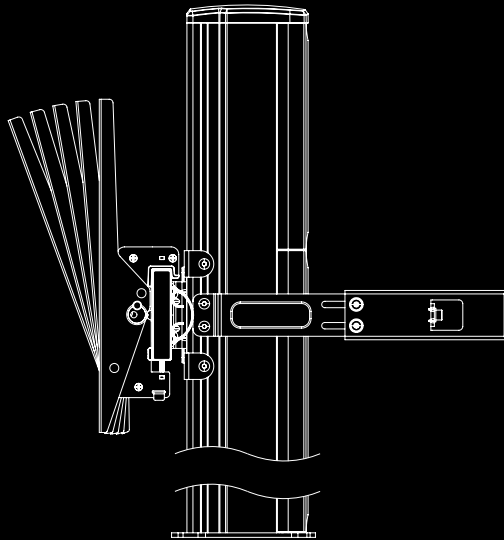


AV SOLUTIONS

01

AV SOLUTIONS

FLOOR CART MOUNTS
FLOOR FREE STAND MOUNTS
FLOOR BOLTED MOUNTS
CEILING MOUNTS
CEILING TO FLOOR MOUNTS
WALL MOUNTS
TABLE MOUNTS
ACCESSORIES FOR AV SOLUTIONS
PARTS&COMPONENTS FOR MODULAR SERIES



FLOOR CART MOUNTS

PRO / MOTORIZED SERIES



MODULAR SERIES



*VWA1165 FLOOR CART MOUNT

VWA1105B

EAN: 5603209001752



INTEGRATED
CABLE
MANAGEMENT

32"-70"

VESA
100X100 to
600X400

kg
50 MAX

ADJUSTABLE HEIGHT: 1285-1450MM
BRAKED WHEELS

293

EAN: 5603209002933



INTEGRATED
CABLE
MANAGEMENT

32"-70"

VESA
100X100 to
600X400

kg
50 MAX

ADJUSTABLE HEIGHT: 1030-1530MM
BRAKED WHEELS

295

EAN: 5603209002957



INTEGRATED
CABLE
MANAGEMENT

32"-70"

VESA
200X200 to
600X400

kg
40 MAX



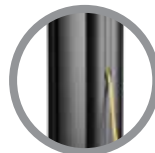
ADJUSTABLE HEIGHT: 1200-1800MM
BRAKED WHEELS

VWA1125B

EAN: 5603209011287



HANDLE
EXTRA MOBILITY



INTEGRATED
CABLE
MANAGEMENT

37"-70"

VESA
200X200 to
600X400

kg
70 MAX



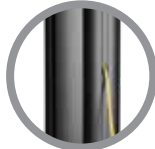
ADJUSTABLE HEIGHT: 1250-1600MM
HIGH-END BRAKED WHEELS

VWA1130B

EAN: 5603209011317



2 HANDLES
EXTRA MOBILITY



INTEGRATED
CABLE
MANAGEMENT

70"-120"

VESA
200X200 to
1000X600

kg
140 MAX

ADJUSTABLE HEIGHT: 1250-1600MM
HIGH-END BRAKED WHEELS

VWA1140

EAN: 5603209011409



INTEGRATED
CABLE
MANAGEMENT

50"-100"

VESA
200X200 to
800X400

kg
100 MAX

ADJUSTABLE HEIGHT: 950-1650MM
HIGH-END BRAKED WHEELS

VWA1165

EAN: 5603209000588



50"-86"

VESA
200X200 to
800X600

kg
120 MAX

ADJUSTABLE HEIGHT: 1285-1410MM
HIGH-END BRAKED WHEELS

VWA1166B

EAN: 5603209000809



60"-86"

VESA
200X200 to
1000X600

kg
100 MAX

ADJUSTABLE HEIGHT: 1215-1435MM
HIGH-END BRAKED WHEELS

VWA1173B

EAN: 5603209000656



37"-100"

VESA
200X200 to
300X600

kg
150 MAX

ADJUSTABLE HEIGHT: 1380-1530MM
BRAKED WHEELS

VWA1174B

EAN: 5603209000663



60"-105"

VESA
200X200 to
1000X600

kg
150 MAX

ADJUSTABLE HEIGHT: 1380-1530MM
BRAKED WHEELS

VWA1190B

EAN: 5603209000441



INTEGRATED
CABLE
MANAGEMENT

42"-100"

VESA
200X200 to
900X600

kg
90 MAX

ADJUSTABLE HEIGHT: 1185-1725MM
HIGH-END BRAKED WHEELS

VWA1230

EAN: 5603209000410



INTEGRATED
CABLE
MANAGEMENT

2 HANDLES
EXTRA MOBILITY

2
DISPLAYS

50"-75"

VESA
200X200 to
600X500

kg
136 MAX

ADJUSTABLE HEIGHT: 1400-1750MM
HIGH-END BRAKED WHEELS

VWA1295B

EAN: 5603209000458



32"-70"

VESA
300X200 to
800X500

kg
55 MAX

90°



INTEGRATED
CABLE
MANAGEMENT



TEMPERED
GLASS



ADJUSTABLE HEIGHT: 1260-2030MM
BRAKED WHEELS

VWA1800B-M

EAN: 5603209018002



MOTORIZED
CAR MOUNT



RF REMOTE CONTROL
INCLUDED

*
ALL PARTS &
COMPONENTS
PAGE 56-59

MOTORIZED

55"-100"

VESA
200X200 to
800X600

kg
120 MAX

ADJUSTABLE HEIGHT: 1100-1600MM
HIGH-END BRAKED WHEELS

EXAMPLE 15.1

DISPLAY FLOOR CART MOUNT



MODULAR

65"-120"

VESA
200X200 to
1400X800

kg
150 MAX

HEIGHT: 2008MM
HIGH-END BRAKED WHEELS

FLOOR FREE STAND MOUNTS

PRO SERIES

3 YEARS
WARRANTY

MODULAR SERIES

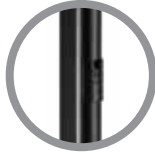
3 YEARS
WARRANTY

*FMT400F FLOOR FREE STAND MOUNT



FM400B

EAN: 5603209000670



INTEGRATED
CABLE
MANAGEMENT



INTEGRATED
CABLE
MANAGEMENT

FMT400F

EAN: 5603209001813



23"-55"

VESA
100X100 to
400X400

kg
35 MAX

ADJUSTABLE HEIGHT: 868-1068MM
TILT ±6°

32"-65"

VESA
200X200 to
400X400

kg
40 MAX

HEIGHT: 1335MM
SWIVEL ±45°

FMT600F

EAN: 5603209001622



INCLUDED
CABLE
MANAGEMENT



SECURITY PIN

FMT600T

EAN: 5603209060001



32"-65"

VESA
100X100 to
600X400

kg
32 MAX

HEIGHT: 1385MM
SWIVEL ±180°

37"-70"

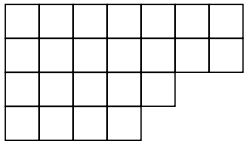
VESA
200X200 to
600X400

kg
35 MAX

ADJUSTABLE HEIGHT: 1025-1735MM
TILT 0°-8°

EXAMPLE 1

LED WALL



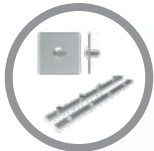
EXAMPLE 1
7X4 LED WALL
28 LEDS 50X50CM



VW225 / VW226
ALUMINUM COLUMN
1800MM / 2700MM



LW1000 / LW1500
ALUMINUM RAIL
1000MM / 1500MM



LW302 RAIL END CAP + LW303
AL RAIL EXTENSION BARS



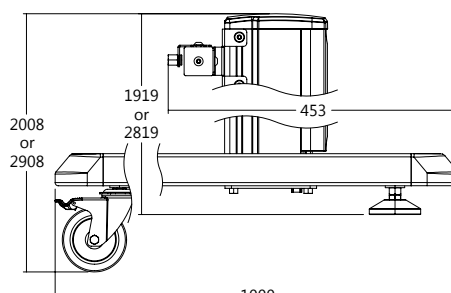
LW301 LED
CONNECTION SET



LW400 RAIL/COLUMN
CONNECTOR



VW228 LEG WITH ADJUSTABLE FEET
VW131 BRAKED WHEELS (OPTIONAL)



ALL DIMENSIONS (MM)

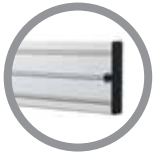


ALL PARTS & COMPONENTS
PAG 56-59

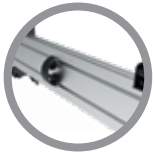
FREEDOM TO CREATE
MODULAR MOUNT
WITH **UNLIMITED**
CONFIGURATION

EXAMPLE 15

DISPLAY FLOOR MOUNT



VW202 AL RAIL 1500MM
END CAPS INCLUDED



CABLE CLIPS
INCLUDED



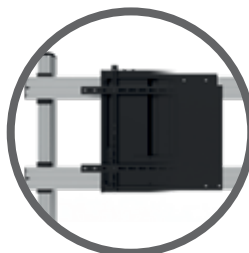
VW225 / VW226
ALUMINUM COLUMN
1800MM / 2700MM



VW218
RAIL/COLUMN
CONNECTOR



VW206
FIXED ARM 800MM



IWD BACK PANEL
(OPTIONAL)



VW228
LEG WITH
ADJUSTABLE FEET



VW131
BRAKED WHEELS
(OPTIONAL)



MODULAR

EXAMPLE 15
1 DISPLAY

65"-120"



VESA
200X200 to
1400X800



H 1919



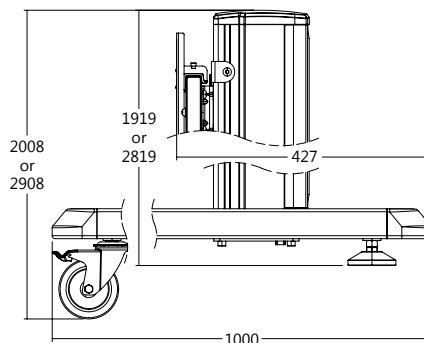
150 MAX



EASY TO INSTALL
AND COMBINE



ALL PARTS &
COMPONENTS
PAGE 56-59



ALL DIMENSIONS (MM)

FREEDOM TO CREATE
MODULAR MOUNT
WITH **UNLIMITED**
CONFIGURATION

EXAMPLE 16

2X2 VIDEO WALL



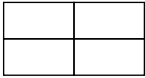
EASY TO INSTALL AND COMBINE



ALL PARTS & COMPONENTS
PAG 56-59



MODULAR



EXAMPLE 16
4 DISPLAYS
(2X2 VIDEO WALL)

50"-60"



200X200 to 600X400



H 1919



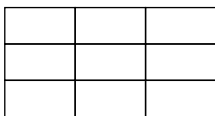
50 MAX DISPLAY

EXAMPLE 17

3X3 VIDEO WALL



MODULAR



EXAMPLE 17
9 DISPLAYS
(3X3 VIDEO WALL)

55"-60"



200X200 to 600X400



H 2819



50 MAX DISPLAY

EXAMPLE 18

DISPLAY FLOOR MOUNT



MODULAR

EXAMPLE 18
1 DISPLAY

55"-98"



EXAMPLE 19

DISPLAY FLOOR MOUNT



MODULAR

EXAMPLE 19
1 DISPLAY (TILT)

32"-75"



EXAMPLE 20

1X2 VIDEO WALL



MODULAR

EXAMPLE 20
2 DISPLAYS
(1X2 VIDEO WALL)

40"-70"



FREEDOM TO CREATE
MODULAR MOUNT
WITH **UNLIMITED**
CONFIGURATION



EASY TO INSTALL
AND COMBINE

FLOOR BOLTED MOUNTS

MOTORIZED SERIES

3 YEARS
WARRANTY

MODULAR SERIES

3 YEARS
WARRANTY

*CL600M FLOOR BOLTED MOUNT



CL400M

EAN: 5603209004951



RF REMOTE CONTROL INCLUDED



FOR FURNITURE INTEGRATION



32"-48"



VESA 200X200 to 400X400



50 MAX

ADJUSTABLE HEIGHT: 573-1238MM
COSTUMIZABLE POSITION MEMORY

CL600M

EAN: 5603209000489



50"-70"



VESA 200X200 to 600X400



50 MAX

ADJUSTABLE HEIGHT: 680-1580MM
COSTUMIZABLE POSITION MEMORY

FM1800B-M

EAN: 5603209000540



MOTORIZED MOUNT



RF REMOTE CONTROL INCLUDED



55"-100"



VESA 200X200 to 800X600

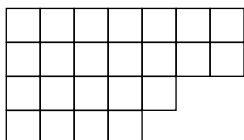


120 MAX

ADJUSTABLE HEIGHT: 925-1600MM
COSTUMIZABLE POSITION MEMORY

EXAMPLE N°2

LED WALL



EXAMPLE 2
7X4 LED WALL
28 LEDS 50X50CM



VW225 / VW226
ALUMINUM COLUMN
1800MM / 2700MM



LW1000 / LW1500
ALUMINUM RAIL
1000MM / 1500MM



LW302 RAIL END CAP + LW303
AL RAIL EXTENSION BARS



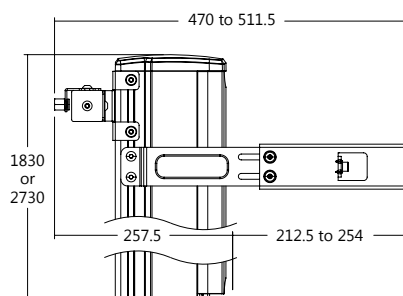
LW301 LED
CONNECTION SET



LW400 RAIL/COLUMN
CONNECTOR



VW220 BASE PLATE +
WALL SAFETY BRACKET



ALL DIMENSIONS (MM)

FREEDOM TO CREATE
MODULAR MOUNT
WITH **UNLIMITED**
CONFIGURATION



EXAMPLE 21

DISPLAY FLOOR MOUNT

FREEDOM TO CREATE
MODULAR MOUNT
WITH **UNLIMITED**
CONFIGURATION



EASY TO INSTALL
AND COMBINE



ALL PARTS &
COMPONENTS
PAGE 56-59



MODULAR

EXAMPLE 21
1 DISPLAY

55"-98"



VESA
200X200 to
600X800



H 1830



150 MAX

EXAMPLE 29

DISPLAY FLOOR MOUNT

EXAMPLE 30

DUAL DISPLAY BACK/BACK



MODULAR

EXAMPLE 29
1 DISPLAY

55"-98"



VESA
200X200 to
600X800



H 1806



100 MAX



MODULAR

EXAMPLE 30
2 DISPLAYS
(DUAL DISPLAY BACK TO BACK)

55"-98"



VESA
200X200 to
600X800



H 1806



50 MAX
DISPLAY

EXAMPLE 22

DISPLAY FLOOR MOUNT



MODULAR

EXAMPLE 22
1 DISPLAY (TILT)

32"-75"

VESA
200X200 to
600X400

H 1830

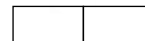
kg
50 MAX

EXAMPLE 25

2X1 MENU BOARD



MODULAR



EXAMPLE 25
2 DISPLAYS
(2X1 TILT MENU BOARD)

43"-60"

VESA
200X200 to
600X400

H 1830

kg
50 MAX
DISPLAY



EASY TO INSTALL
AND COMBINE



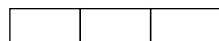
ALL PARTS &
COMPONENTS
PAG 56-59

EXAMPLE 27

3X1 MENU BOARD



MODULAR



EXAMPLE 27
3 DISPLAYS
(3X1 TILT MENU BOARD)

50"-60"

VESA
200X200 to
600X400

H 1830

kg
50 MAX
DISPLAY

FREEDOM TO CREATE
MODULAR MOUNT
WITH **UNLIMITED**
CONFIGURATION

EXAMPLE 23

1X2 VIDEO WALL



MODULAR



EXAMPLE 23
2 DISPLAYS
(1X2 VIDEO WALL)

40"-70"

VESA
200X200 to
600X400

H 1830

kg
50 MAX
DISPLAY

FREEDOM TO CREATE
MODULAR MOUNT
WITH UNLIMITED
CONFIGURATION



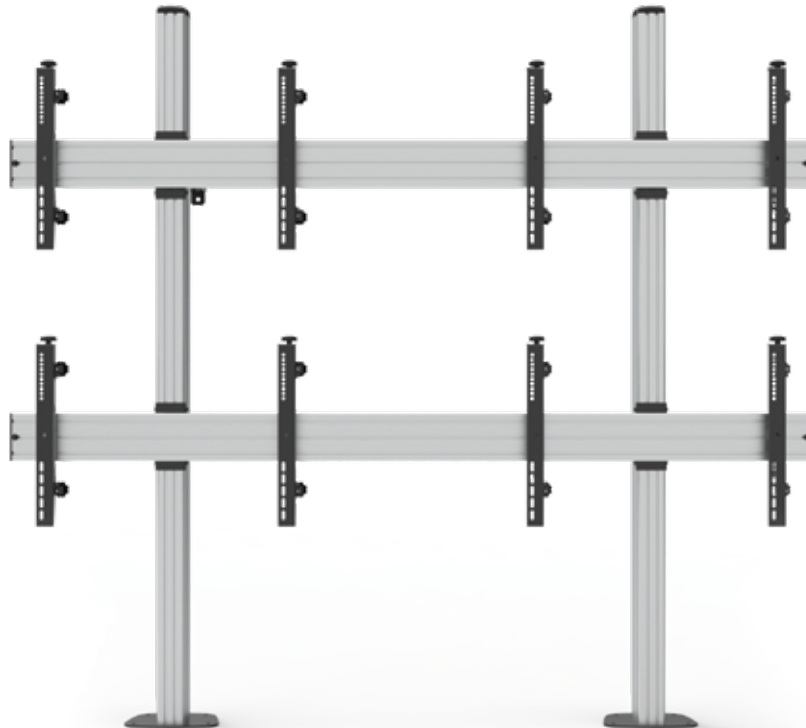
ALL PARTS &
COMPONENTS
PAGE 56-59



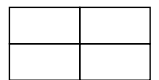
EASY TO INSTALL
AND COMBINE

EXAMPLE 26

2X2 VIDEO WALL



MODULAR



EXAMPLE 26
4 DISPLAYS
(2X2 VIDEO WALL)

50"-60"

VESA
200X200 to
600X400

H 1830

kg
50 MAX
DISPLAY

EXAMPLE 24

1X3 VIDEO WALL

FREEDOM TO CREATE
MODULAR MOUNT
WITH **UNLIMITED**
CONFIGURATION



EASY TO INSTALL
AND COMBINE



*
ALL PARTS &
COMPONENTS
PAG 56-59



MODULAR



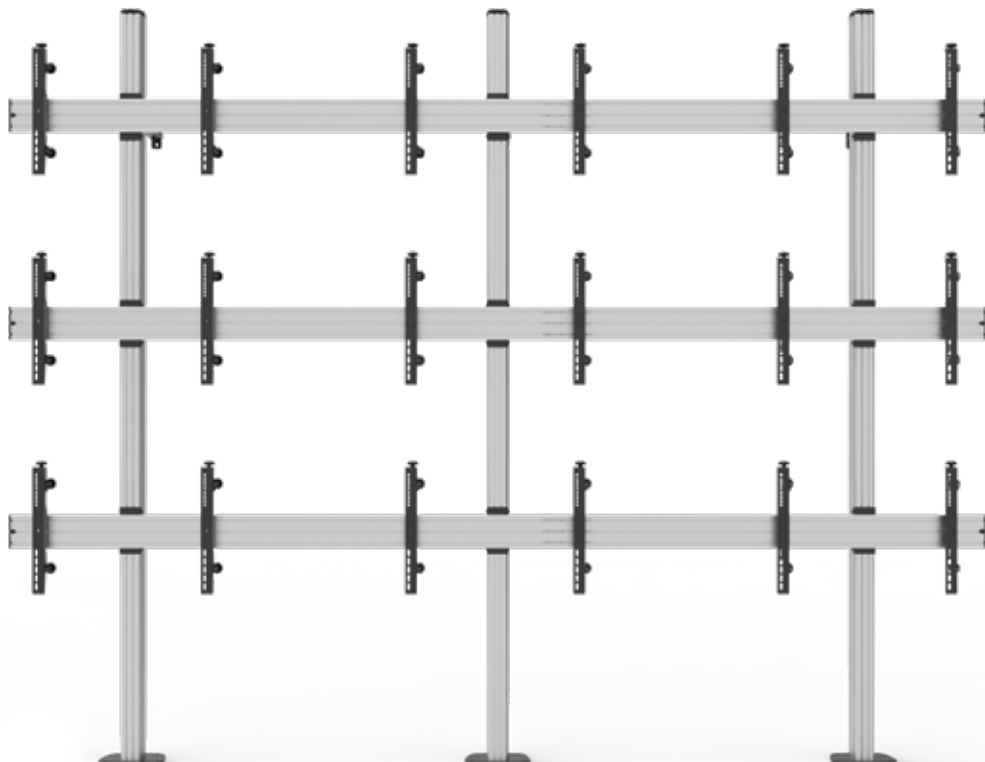
EXAMPLE 24
3 DISPLAYS
(1X3 VIDEO WALL)

40"-70"

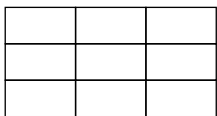


EXAMPLE 28

3X3 VIDEO WALL



MODULAR



EXAMPLE 28
9 DISPLAYS
(3X3 VIDEO WALL)

55"-60"



EXAMPLE 31

DISPLAY FLOOR MOUNT



MODULAR

EXAMPLE 31
1 DISPLAY (TILT)

32"-75"

VESA
200X200 to
600X400

H 1806

50 MAX
DISPLAY

EXAMPLE 34

2X1 MENU BOARD



MODULAR

EXAMPLE 34
2 DISPLAYS
(2X1 TILT MENU BOARD)

43"-60"

VESA
200X200 to
600X400

H 1806

50 MAX
DISPLAY

FREEDOM TO CREATE
MODULAR MOUNT
WITH UNLIMITED
CONFIGURATION

EXAMPLE 37

3X1 MENU BOARD



MODULAR

EXAMPLE 37
3 DISPLAYS
(3X1 TILT MENU BOARD)

50"-60"

VESA
200X200 to
600X400

H 1806

50 MAX
DISPLAY

EXAMPLE 32

DUAL DISPLAY BACK/BACK



MODULAR

EXAMPLE 32
2 DISPLAYS
(DUAL DISPLAY TILT
BACK TO BACK)

32"-75"

VESA
200X200 to
600X400

H 1806

kg
37,5 MAX
DISPLAY

EXAMPLE 35

DUAL 2X1 MENU BOARD BACK/BACK



MODULAR

EXAMPLE 35
4 DISPLAYS
(DUAL 2X1 TILT MENU
BOARD BACK TO BACK)

43"-60"

VESA
200X200 to
600X400

H 1806

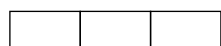
kg
37,5 MAX
DISPLAY

EXAMPLE 38

DUAL 3X1 MENU BOARD BACK/BACK



MODULAR



EXAMPLE 38
6 DISPLAYS
(DUAL 3X1 TILT MENU BOARD
BACK TO BACK)

50"-60"

VESA
200X200 to
600X400

H 1806

kg
37,5 MAX
DISPLAY



ALL PARTS &
COMPONENTS
PAG 56-59



EASY TO INSTALL
AND COMBINE

EXAMPLE 33

1X2 VIDEO WALL



MODULAR



EXAMPLE 33
2 DISPLAYS
(1X2 VIDEO WALL)

40"-70"

VESA
200X200 to
600X400

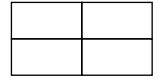


EXAMPLE 36

2X2 VIDEO WALL



MODULAR



EXAMPLE 36
4 DISPLAYS
(2X2 VIDEO WALL)

50"-60"

VESA
200X200 to
600X400



EASY TO INSTALL
AND COMBINE

FREEDOM TO CREATE
MODULAR MOUNT
WITH **UNLIMITED**
CONFIGURATION

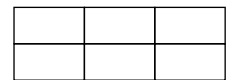


EXAMPLE 39

3X2 VIDEO WALL



MODULAR



EXAMPLE N°26
6 DISPLAYS
(3X2 VIDEO WALL)

55"-60"

VESA
200X200 to
600X400



CEILING MOUNTS

PRO / MOTORIZED SERIES

3
years
WARRANTY

MODULAR SERIES

3
years
WARRANTY



*279 CEILING MOUNT



279

EAN: 5603209002797



ANGLED CEILING
90°



32"-65"

VESA
200X200 to
400X400

kg
50 MAX

ADJUSTABLE HEIGHT: 1010-1510MM
TILT +0° -15° | INTERNAL CABLE MANAGEMENT

HA600

EAN: 5603209006016



VESA ADAPTER 600
COMPATIBLE WITH 279 / 280

280

EAN: 5603209002803



ANGLED CEILING
90°



42"-90"

VESA
200X200 to
800X400

kg
50 MAX

ADJUSTABLE HEIGHT: 1010-1510MM
TILT +0° -15° | INTERNAL CABLE MANAGEMENT

HA600

EAN: 5603209006016



VESA ADAPTER 600
COMPATIBLE WITH 279 / 280

281

EAN: 5603209002810



ANGLED CEILING
±60°



2
DISPLAYS

42"-90"

VESA
200X200 to
600X400

kg
50 MAX
DISPLAY

ADJUSTABLE HEIGHT: 1060-1560MM | TILT +5° -20°
SWIVEL 360° | LEVEL ±3° | INTERNAL CABLE MANAGEMENT

285

EAN: 5603209002858



32"-65"

VESA
200X200 to
400X400

kg
50 MAX

ADJUSTABLE HEIGHT: 560-910MM | TILT +0° -25°
SWIVEL 360° | LEVEL ±3° | INTERNAL CABLE MANAGEMENT

286

EAN: 5603209002865



ANGLED CEILING
±60°



42"-90"

VESA
200X200 to
600X400

kg
50 MAX

ADJUSTABLE HEIGHT: 560-910MM | TILT +0° -25°
SWIVEL 360° | LEVEL ±3° | INTERNAL CABLE MANAGEMENT

CM410M

EAN: 5603209004999



RF REMOTE CONTROL INCLUDED



PERFECT FOR
FLAT & ANGLED
CEILING



23"-55"



MOUNTING PROFILE: 108-663MM | TILT 0° -75° | LEVEL ±3°
COSTUMIZABLE POSITION MEMORY

CM610M

EAN: 5603209004968



RF REMOTE CONTROL INCLUDED



32"-70"



MOUNTING PROFILE: 108-725MM | TILT 0° -75° | LEVEL ±2°
COSTUMIZABLE POSITION MEMORY

EXAMPLE 4

DISPLAY CEILING MOUNT



MODULAR

EXAMPLE 4
1 DISPLAY

55"-98"



EXAMPLE 5

DUAL DISPLAY BACK/BACK



MODULAR

EXAMPLE 5
2 DISPLAYS
(DUAL DISPLAY BACK TO BACK)

55"-98"



EASY TO INSTALL
AND COMBINE



ALL PARTS &
COMPONENTS
PAGE 56-59

FREEDOM TO CREATE
MODULAR MOUNT
WITH **UNLIMITED**
CONFIGURATION

EXAMPLE 6

DISPLAY CEILING MOUNT

EXAMPLE 9

2X1 MENU BOARD



MODULAR

EXAMPLE 6
1 DISPLAY
(TILT)

32"-75"

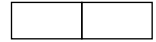
VESA
200X200 to
600X400

H 1806

kg
50 MAX



MODULAR



EXAMPLE 9
2 DISPLAYS
(2X1 TILT MENU BOARD)

43"-60"

VESA
200X200 to
600X400

H 1806

kg
50 MAX
DISPLAY



EASY TO INSTALL
AND COMBINE



ALL PARTS &
COMPONENTS
PAG 56-59

FREEDOM TO CREATE
MODULAR MOUNT
WITH **UNLIMITED**
CONFIGURATION

EXAMPLE 12

3X1 MENU BOARD



MODULAR



EXAMPLE 12
3 DISPLAYS
(3X1 TILT MENU BOARD)

50"-60"

VESA
200X200 to
600X400

H 1806

kg
50 MAX
DISPLAY



EXAMPLE 7

DUAL DISPLAY BACK/BACK



MODULAR

EXAMPLE 7
2 DISPLAYS
(TILT BACK TO BACK)

32"-75"



H 1806

37,5 MAX
DISPLAY

EXAMPLE 10

DUAL 2X1 MENU BOARD BACK/BACK



MODULAR

EXAMPLE 10
4 DISPLAYS
(DUAL 2X1 MENU BOARD
BACK TO BACK)

43"-60"



H 1806

37,5 MAX
DISPLAY

FREEDOM TO CREATE
MODULAR MOUNT
WITH **UNLIMITED**
CONFIGURATION



EASY TO INSTALL
AND COMBINE



ALL PARTS &
COMPONENTS
PAG 56-59

EXAMPLE 13

DUAL 3X1 MENU BOARD BACK/BACK



MODULAR

EXAMPLE 13
6 DISPLAYS
(DUAL 3X1 TIL MENU
BOARD BACK TO BACK)

50"-60"



H 1806

37,5 MAX
DISPLAY

EXAMPLE 8

1X2 VIDEO WALL



MODULAR



EXAMPLE 8
2 DISPLAYS
(1X2 VIDEO WALL)

40"-70"

VESA
200X200 to
600X400

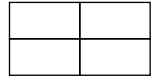


EXAMPLE 11

2X2 VIDEO WALL



MODULAR



EXAMPLE 11
4 DISPLAYS
(2X2 VIDEO WALL)

50"-60"

VESA
200X200 to
600X400



EASY TO INSTALL
AND COMBINE

FREEDOM TO CREATE
MODULAR MOUNT
WITH **UNLIMITED**
CONFIGURATION

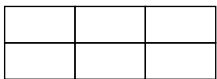


EXAMPLE N°14

3X2 VIDEO WALL



MODULAR



EXAMPLE N°14
6 DISPLAYS
(3X2 VIDEO WALL)

55"-60"

VESA
200X200 to
600X400



CEILING TO FLOOR MOUNTS

PRO SERIES

3
years
WARRANTY

MODULAR SERIES

3
years
WARRANTY

*FCM600T CEILING TO FLOOR MOUNT

FCM600T

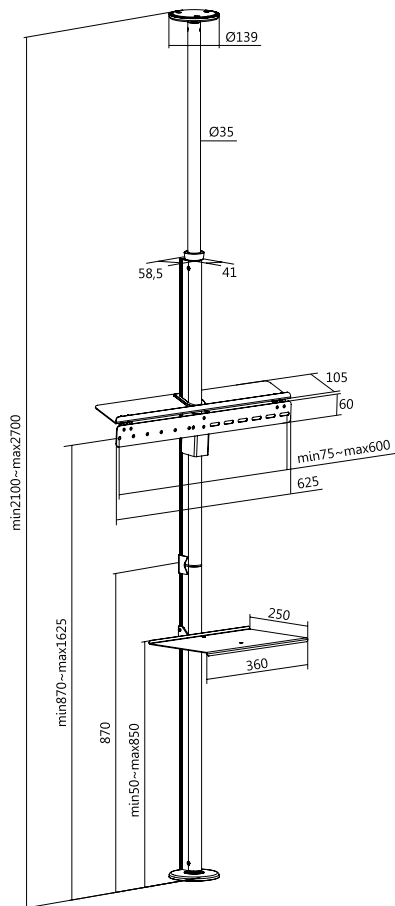
EAN: 5603209000557



CABLE MANAGEMENT
INTEGRATED



TELESCOPIC
HEIGHT ADJUSTABLE



ALL DIMENSIONS (MM)

50"-70"

VESA
200X200 to
600X600

kg
30 MAX

ADJUSTABLE HEIGHT: 2100-2700MM
SWIVEL $\pm 180^\circ$ | AV SHELF | RUBBER PADS

EXAMPLE 40

DISPLAY CEILING/FLOOR MOUNT



MODULAR

EXAMPLE 40
1 DISPLAY

55"-98"

VESA
200X200 to
600X800

H 3609

kg
150 MAX



EASY TO INSTALL
AND COMBINE



ALL PARTS &
COMPONENTS
PAG 56-59

EXAMPLE 41

DUAL DISPLAY CEILING/FLOOR MOUNT



MODULAR

EXAMPLE 41
2 DISPLAYS
(DUAL DISPLAY BACK TO BACK)

55"-98"

VESA
200X200 to
600X800

H 3609

kg
75 MAX
DISPLAY

EXAMPLE 42

DISPLAY CEILING/FLOOR MOUNT



MODULAR

EXAMPLE 42
1 DISPLAY (TILT)

32"-75"

VESA
200X200 to
600X400

H 3609

kg
50 MAX

EXAMPLE 43

DUAL DISPLAY CEILING/FLOOR MOUNT



MODULAR

EXAMPLE 43
2 DISPLAYS
(DUAL DISPLAY TILT BACK TO BACK)

32"-75"

VESA
200X200 to
600X400

H 3609

kg
37,5 MAX
DISPLAY

EXAMPLE 44

1X2 VIDEO WALL



MODULAR



EXAMPLE 44
2 DISPLAYS
(1X2 VIDEO WALL)

40"-75"

VESA
200X200 to
600X400



EXAMPLE 45

DUAL 1X2 VIDEO WALL BACK/BACK



MODULAR



EXAMPLE 45
2 DISPLAYS
(DUAL 1X2 VIDEO WALL BACK/BACK)

40"-75"

VESA
200X200 to
600X400



EXAMPLE 46

1X3 VIDEO WALL



MODULAR



EXAMPLE 46
3 DISPLAYS
(1X3 VIDEO WALL)

40"-75"

VESA
200X200 to
600X400



EASY TO INSTALL
AND COMBINE



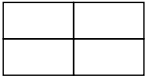
FREEDOM TO CREATE
MODULAR MOUNT
WITH **UNLIMITED**
CONFIGURATION

EXAMPLE 47

CEILING TO FLOOR MODULAR MOUNT



MODULAR



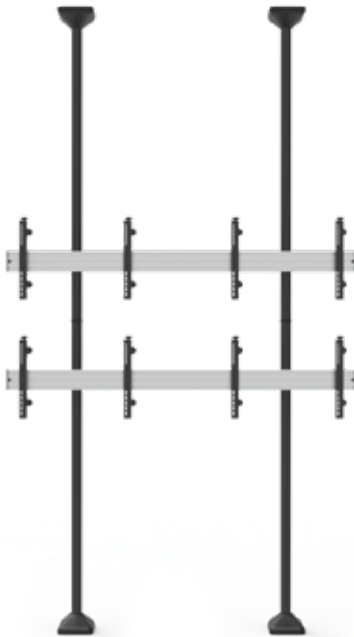
EXAMPLE 47
4 DISPLAYS
(2X2 VIDEO WALL)

50"-60"

VESA
200X200 to
600X400

H 3609

50 MAX
DISPLAY

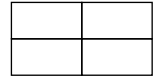


EXAMPLE 48

CEILING TO FLOOR MODULAR MOUNT



MODULAR



EXAMPLE 48
4 DISPLAYS
(2X2 VIDEO WALL
BACK TO BACK)

50"-60"

VESA
200X200 to
600X400

H 3609

37,5 MAX
DISPLAY



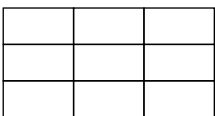
FREEDOM TO CREATE
MODULAR MOUNT
WITH **UNLIMITED**
CONFIGURATION

EXAMPLE 49

3X3 VIDEO WALL



MODULAR



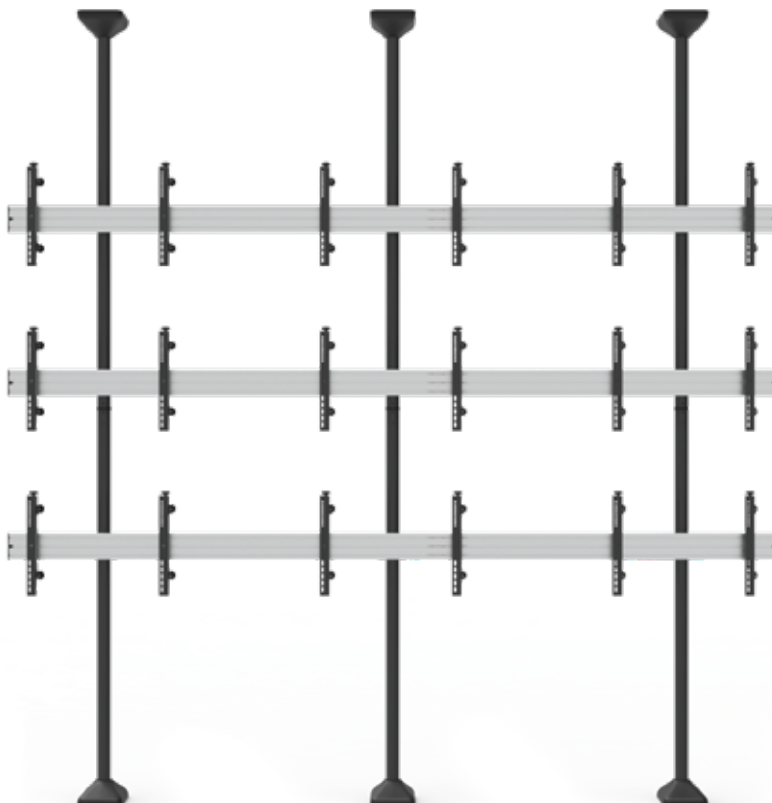
EXAMPLE 49
9 DISPLAYS
(3X3 VIDEO WALL)

55"-60"

VESA
200X200 to
600X400

H 3609

50 MAX
DISPLAY



EASY TO INSTALL
AND COMBINE



ALL PARTS &
COMPONENTS
PAG 56-59

WALL MOUNTS

BASIC SERIES

8
YEARS
WARRANTY

COMMERCIAL SERIES

20
YEARS
WARRANTY

PREMIUM SERIES

WARRANTY
LIFETIME
WARRANTY

PRO / MOTORIZED SERIES

3
YEARS
WARRANTY

MODULAR SERIES

3
YEARS
WARRANTY



*WM600M WALL MOUNT

020

EAN: 5603209000908



13"-43" | VESA 50X50 to 200X200 | 30 MAX

MOUNTING PROFILE: 98MM
TILT ±20° | SWIVEL ±30°

025

EAN: 5603209000694



CABLE MANAGEMENT INCLUDED



13"-43" | VESA 75X75 to 200X200 | 20 MAX

MOUNTING PROFILE: 60-190MM
TILT +5° -12° | SWIVEL ±90° / ±90° | LEVEL ±3°

030

EAN: 5603209000915



13"-43" | VESA 50X50 to 200X200 | 45 MAX

MOUNTING PROFILE: 20MM
TILT +0° -8°

030F

EAN: 5603209000953

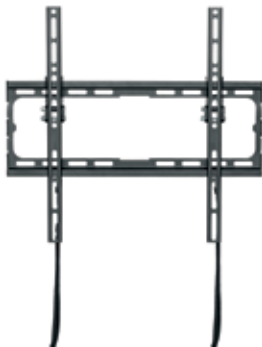


13"-43" | VESA 50X50 to 200X200 | 45 MAX

MOUNTING PROFILE: 20MM

035

EAN: 5603209000946

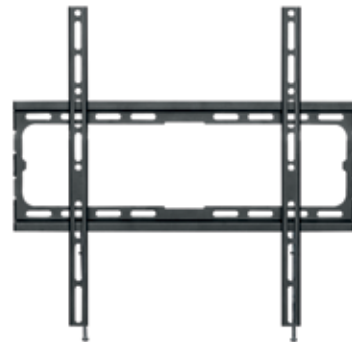


32"-70" | VESA 200X200 to 400X400 | 45 MAX

MOUNTING PROFILE: 20MM
TILT +0° -8°

035F

EAN: 5603209000960



32"-70" | VESA 200X200 to 400X400 | 45 MAX

MOUNTING PROFILE: 20MM

040

EAN: 5603209000922

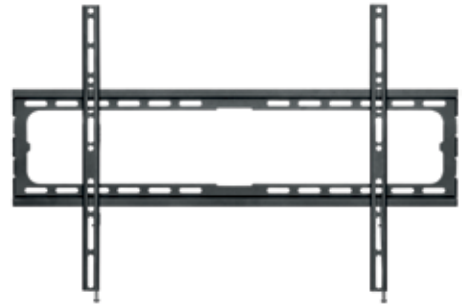


37"-90" | VESA 200X200 to 600X400 | 45 MAX kg

MOUNTING PROFILE: 20MM
TILT +0° -8°

040F

EAN: 5603209000977



37"-90" | VESA 200X200 to 600X400 | 45 MAX kg

MOUNTING PROFILE: 20MM

050

EAN: 5603209000939



26"-65" | VESA 75X75 to 400X400 | 30 MAX kg

MOUNTING PROFILE: 88-201MM
TILT ±20° | SWIVEL ±90° / ±90°



210

EAN: 5603209002100



10 MAX kg

SHELF

236

EAN: 5603209002360



10"-26" | VESA 75X75 to 100X100 | 20 MAX kg

MOUNTING PROFILE: 36MM
TILT +3° -12°

250

EAN: 5603209002506



21"-43"

VESA
75X75 to
200X200

kg
35 MAX

MOUNTING PROFILE: 95MM
TILT +8 -12° | SWIVEL ±45°

251

EAN: 5603209002513



21"-43"

VESA
75X75 to
200X200

kg
30 MAX

MOUNTING PROFILE: 95-275MM
TILT +8 -12° | SWIVEL ±90° / ±90°

252

EAN: 5603209002520

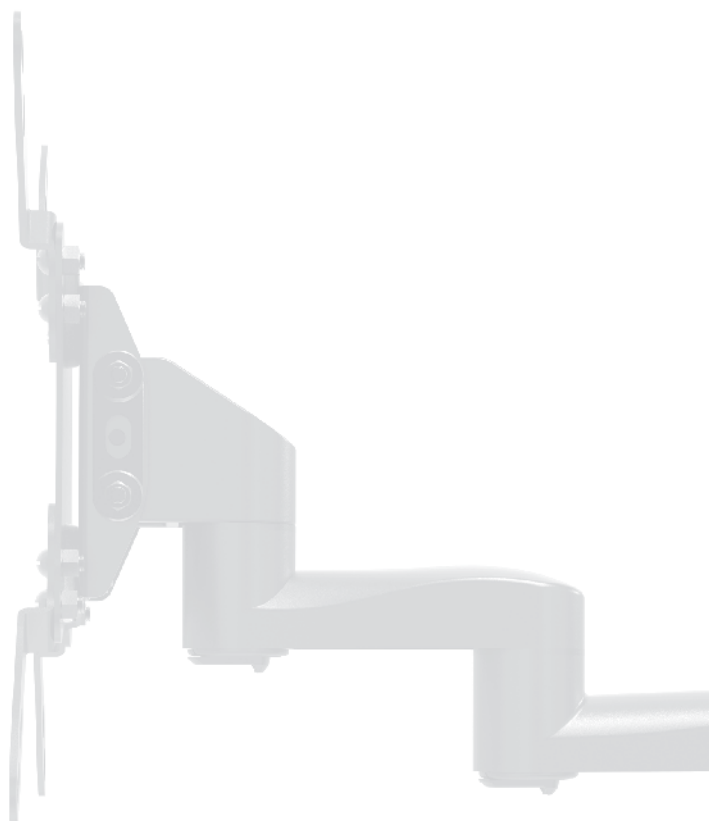


21"-43"

VESA
75X75 to
200X200

kg
25 MAX

MOUNTING PROFILE: 95-365MM
TILT +8 -12° | SWIVEL ±90° / ±180° / ±90°



253F

EAN: 5603209001561



LEVEL TOOL INCLUDED

23"-43" | VESA 50X50 to 200X200 | 30 MAX

MOUNTING PROFILE: 25MM

253T

EAN: 5603209001578



23"-43" | VESA 50X50 to 200X200 | 30 MAX

MOUNTING PROFILE: 53MM
TILT ±12°

254F

EAN: 5603209001585



LEVEL TOOL INCLUDED

32"-65" | VESA 100X100 to 400X400 | 40 MAX

MOUNTING PROFILE: 25MM

254T

EAN: 5603209001592



32"-65" | VESA 100X100 to 400X400 | 40 MAX

MOUNTING PROFILE: 53MM
TILT ±12°

260F

EAN: 5603209001608



LEVEL TOOL INCLUDED

37"-90" | VESA 100X100 to 600X400 | 40 MAX

MOUNTING PROFILE: 25MM

260T

EAN: 5603209001615



37"-90" | VESA 100X100 to 600X400 | 40 MAX

MOUNTING PROFILE: 53MM
TILT ±12°

262

EAN: 5603209009994



60"-100" | VESA 200X200 to 300X600 | 100 MAX

MOUNTING PROFILE: 32MM

272

EAN: 5603209002728



60"-100" | VESA 200X200 to 1000X800 | 100 MAX

MOUNTING PROFILE: 130MM
TILT ±15°

273

EAN: 5603209000649



32"-65" | VESA 50X50 to 400X400 | 35 MAX

MOUNTING PROFILE: 84-233MM
TILT +3° -10° | SWIVEL ±90° / ±90° | LEVEL ±3°

274

EAN: 5603209002742



32"-65" | VESA 200X200 to 400X400 | 35 MAX

MOUNTING PROFILE: 84-443MM
TILT +3° -10° | SWIVEL ±90° / ±180° / ±90° | LEVEL ±3°

275

EAN: 5603209002759



37"-70" | VESA 200X200 to 600X400 | 40 MAX

EXTENSION: 53-464MM
TILT +5° -15° | SWIVEL ±60° | LEVEL ±3°



CABLE MANAGEMENT INCLUDED

276

EAN: 5603209002766



42"-90" | VESA 200X200 to 800X400 | 75 MAX

EXTENSION: 69-635MM
TILT +5° -15° | SWIVEL ±60° | LEVEL ±3°

WM100T

EAN: 5603209001004



13"-27"



MOUNTING PROFILE: 94MM
TILT +5° -8° | SWIVEL ±40° | LEVEL ±5°

WM200T

EAN: 5603209002001



21"-43"



MOUNTING PROFILE: 94MM
TILT +5° -8° | SWIVEL ±38° | LEVEL ±5°

WM410T

EAN: 5603209004104



32"-65"



MOUNTING PROFILE: 49-259MM
TILT +2° -12° | SWIVEL ±90° / ±90° | LEVEL ±5°

WM420T

EAN: 5603209004203



32"-65"



MOUNTING PROFILE: 49-503MM
TILT +2° -12° | SWIVEL ±90° / ±180° / ±90° | LEVEL ±5°



CABLE
MANAGEMENT
INCLUDED

WM201F

EAN: 5603209002018



LEVEL TOOL
INCLUDED

21"-43"

VESA
100X100 to
200X200

kg
50 MAX

MOUNTING PROFILE: 28MM
LEVEL TOOL INCLUDED

WM201T

EAN: 5603209002025



21"-43"

VESA
100X100 to
200X200

kg
50 MAX

MOUNTING PROFILE: 35MM
TILT 0° -12° | LEVEL TOOL INCLUDED

WM400F

EAN: 5603209004012



LEVEL TOOL
INCLUDED

32"-65"

VESA
100X100 to
400X400

kg
50 MAX

MOUNTING PROFILE: 28MM
LEVEL TOOL INCLUDED

WM400T

EAN: 5603209004029



32"-65"

VESA
100X100 to
400X400

kg
50 MAX

MOUNTING PROFILE: 35MM
TILT 0° -12° | LEVEL TOOL INCLUDED

245

EAN: 5603209002452



37"-70"

VESA
200X200 to
600X400

kg
40 MAX

EXTENSION: 45-680MM
TILT +8° -12° | SWIVEL ±90° / ±90° | LEVEL ±3°

IWD-5070

EAN: 5603209050705



WEIGHT
BALANCE



UP-DOWN
INTERACTIVE
DISPLAYS

50"-70"

VESA
200X200 to
800X600

kg
40/60 MAX

ADJUSTABLE HEIGHT: 400MM
MOUNTING PROFILE: 127MM

IWD-7090

EAN: 5603209070901



70"-90"

VESA
200X200 to
800X600

kg
60/90 MAX

ADJUSTABLE HEIGHT: 400MM
MOUNTING PROFILE: 127MM

WM4060F

EAN: 5603209001769



LEVEL TOOL INCLUDED



37"-90"

VESA
200X200 to
400X600

kg
75 MAX

LOCKABLE

MOUNTING PROFILE: 27MM
DETACHABLE VESA (PADLOCK NOT INCLUDED)

VW1800

EAN: 5603209018019



43"-90"

VESA
200X200 to
900X400

kg
75 MAX

LOCKABLE

MOUNTING PROFILE: 75-136MM
TILT +5° -10° | SWIVEL ±5° | LEVEL ADJUSTMENT 6MM

VW1000

EAN: 5603209010006



POP-OUT FUNCTION
INCLUDED



EASY LOCK / UNLOCK
DISPLAY



ALL ACCESSORIES
FOR AV
SOLUTIONS
PAGE 55

37"-70"



MOUNTING PROFILE: 60-202MM
(PADLOCK NOT INCLUDED)

VWPO3600

EAN: 5603209000786



POP-OUT FUNCTION
INCLUDED



EASY LOCK / UNLOCK
DISPLAY

45"-70"



MOUNTING PROFILE: 120-325MM
MICRO-ADJUSTMENT | TILT +2° -3° (PADLOCK NOT INCLUDED)

WM600M

EAN: 5603209006030



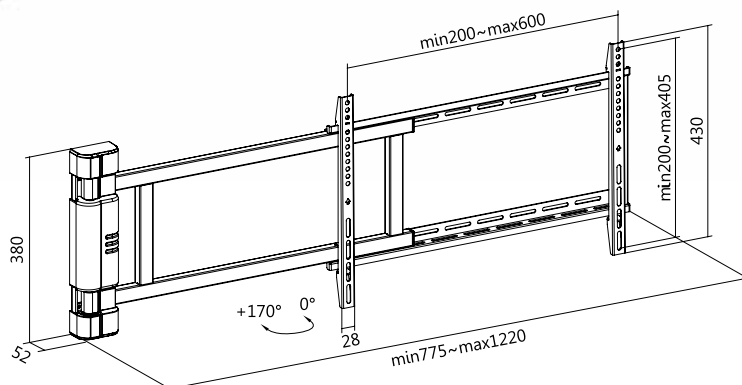
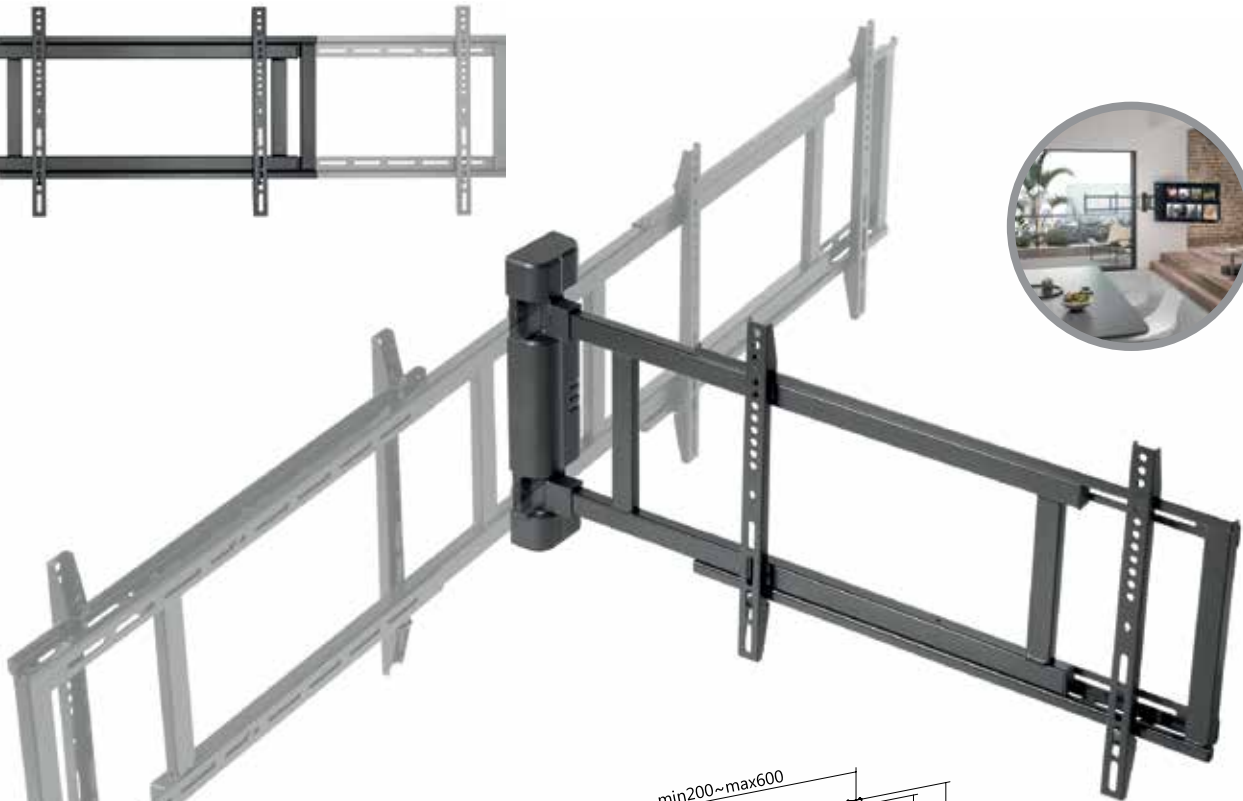
RF REMOTE CONTROL
INCLUDED



32"-75"



MOUNTING PROFILE: 56MM | EXTENSION: 775-1220MM
SWIVEL 170° | ANTI-COLLISION SYSTEM | 2 MEMORY SETTINGS | LEFT AND RIGHT INSTALATION



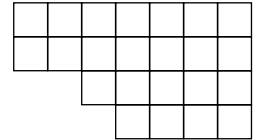
ALL DIMENSIONS (MM)

EXAMPLE 3

LED WALL



MODULAR



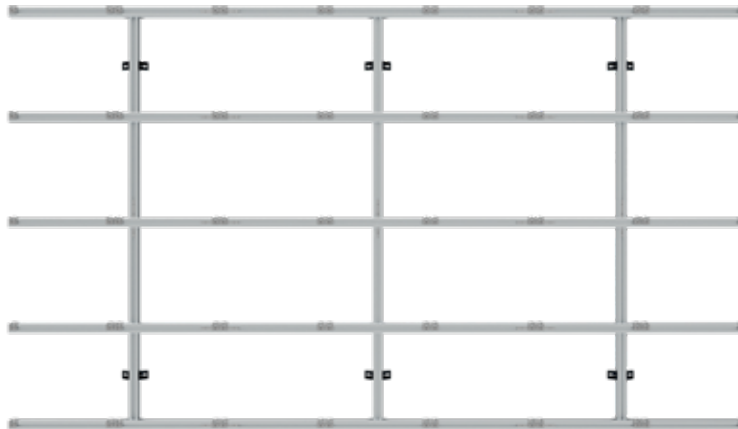
EXAMPLE 3
7X4 LED WALL
28 LEDS 50X50CM



LW1000 / LW1500
ALUMINUM RAIL
1000MM / 1500MM



LW301 LED
CONNECTION SET



LW302 RAIL END CAP + LW303
AL RAIL EXTENSION BARS

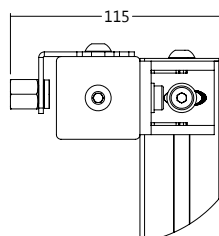


LW305
90° RAIL CONNECTOR

FREEDOM TO CREATE
MODULAR MOUNT
WITH **UNLIMITED**
CONFIGURATION



*
ALL PARTS &
COMPONENTS
PAG 56-59



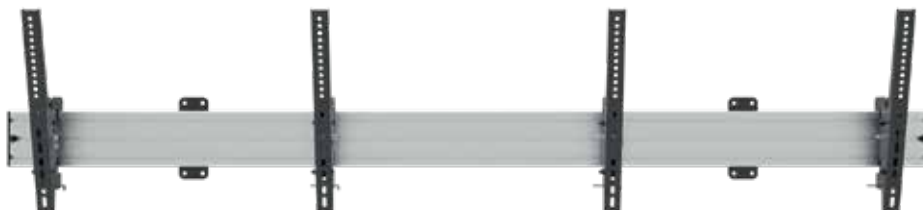
ALL DIMENSIONS (MM)



EASY TO INSTALL
AND COMBINE

EXAMPLE 50

2X1 MENU BOARD



MODULAR



EXAMPLE 50
2 DISPLAYS
(2X1 TILT MENUBOARD)

43"-60"

VESA
200X200 to
600X400

MOUNTING
PROFILE 123

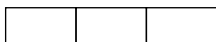
kg
50 MAX
DISPLAY

EXAMPLE 51

3X1 MENU BOARD



MODULAR



EXAMPLE N°51
3 DISPLAYS
(3X1 TILT MENUBOARD)

50"-60"

VESA
200X200 to
600X400

MOUNTING
PROFILE 123

kg
50 MAX
DISPLAY



EASY TO INSTALL
AND COMBINE

FREEDOM TO CREATE
MODULAR MOUNT
WITH **UNLIMITED**
CONFIGURATION



TABLE MOUNTS

COMMERCIAL SERIES

20
years
WARRANTY

PRO / MOTORIZED SERIES

3
years
WARRANTY

TM0700

EAN: 5603209000465



32"-70"

VESA
200X200 to
800X500

kg
55 MAX

ADJUSTABLE HEIGHT
582 / 641 / 700MM

SB100

EAN: 5603209000885



SOUND BAR
CONFERENCE
BAR



EASY INSTALLATION UNDER OR OVER THE DISPLAY
NON-SLIP BASE HOLDER | DEPTH: 40-182MM

ACCESSORIES FOR AV SOLUTIONS

VW1007

EAN: 5603209010075



CONNECT PLATE FOR VW1000
LENGTH 450MM

HA600

EAN: 5603209006016



BRACKET ARM 600M
COMPATIBLE WITH 279 / 280

VW1008

EAN: 5603209010082



CONNECT PLATE FOR VW1000
LENGTH 760MM

RFC001

EAN: 5603209000144



FOR MOTORIZED SERIES

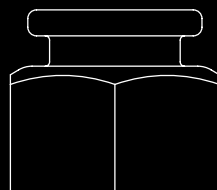
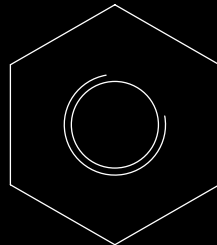
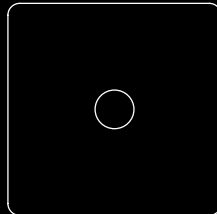
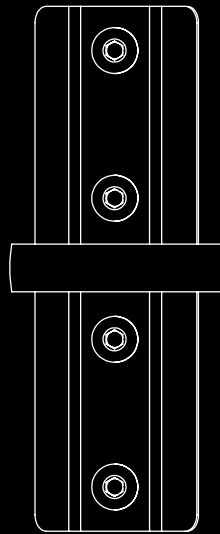
RF REMOTE CONTROL
2 MEMORY

PARTS & COMPONENTS

FOR MODULAR SERIES

MODULAR SERIES

3 years
WARRANTY



IWD

EAN: 5603209000571
IWD BACK PANEL



IW & VW COMPATIBLE
(FOR IWD-5070/7090
VW201/202/203)

LW1000

EAN: 5603209081006
ALUMINUM PROFILE 1000



LW COMPATIBLE

LW1500

EAN: 5603209081501
ALUMINUM PROFILE 1500

LW301

EAN: 5603209083017
PROFILE/LED CONNECTOR



2UN/SET

LW COMPATIBLE
(FOR LW1000/1500)
(M6/M8/M10 SCREWS)

LW302

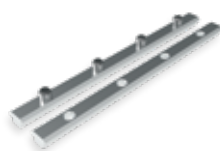
EAN: 5603209083024
PROFILE END CAP



LW COMPATIBLE
(FOR LW1000/1500)

LW303

EAN: 5603209083031
PROFILE EXTENSION BARS



LW COMPATIBLE
(FOR LW1000/1500)

LW305

EAN: 5603209083055
PROFILE/PROFILE 90° CONNECTOR



LW COMPATIBLE
(FOR LW1000/1500)

LW400

EAN: 5603209084007
PROFILE/COLUMN CONNECTOR

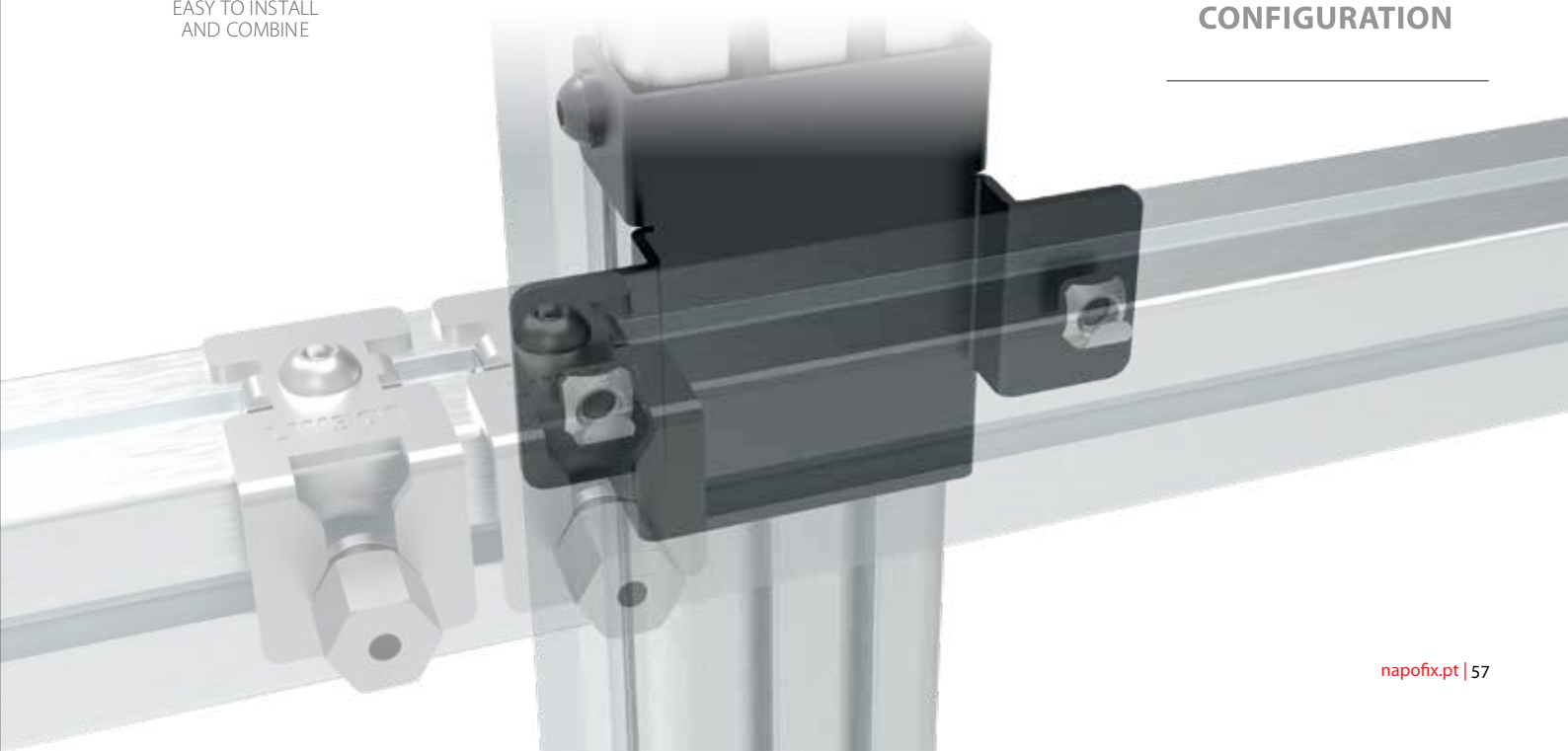


LW COMPATIBLE
(FOR LW1000/1500
VW225/226)



EASY TO INSTALL
AND COMBINE

FREEDOM TO CREATE
MODULAR MOUNT
WITH **UNLIMITED**
CONFIGURATION



VW131

EAN: 5603209091319
WHEELS 4"



2UN/SET

LW & VW COMPATIBLE
(FOR VW228)

VW201

EAN: 5603209022016
ALUMINUM RAIL 700



END CAPS AND RAIL
CONNECTORS
INCLUDED

VW202

EAN: 5603209022023
ALUMINUM RAIL 1500

VW203

EAN: 5603209022030
ALUMINUM RAIL 2000

VW COMPATIBLE

VW204

EAN: 5603209000816
FIXED ARM 200



LOCKABLE

VW COMPATIBLE
(FOR VW201/202/203)

VW205

EAN: 5603209000823
FIXED ARM 600



2UN/SET

LOCKABLE

VW COMPATIBLE
(FOR VW201/202/203)

VW206

EAN: 5603209022061
FIXED ARM 800



2UN/SET

LOCKABLE

VW COMPATIBLE
(FOR VW201/202/203)

VW207

EAN: 5603209022078
TILT ARM 400



2UN/SET

VW COMPATIBLE
(FOR VW201/202/203)

VW210

EAN: 5603209022108
MICRO-ADJUSTABLE ARM 400



2UN/SET

VW COMPATIBLE
(FOR VW201/202/203)

VW211

EAN: 5603209022115
POLE 1800



VW COMPATIBLE

VW215

EAN: 5603209022153
POLE/POLE CONNECTOR



VW COMPATIBLE
(FOR VW211)

VW217

EAN: 5603209022177
RAIL/POLE CONNECTOR



VW COMPATIBLE
(FOR VW201/202/203
VW211)

VW218

EAN: 5603209022184
RAIL/COLUMN CONNECTOR



VW COMPATIBLE
(FOR VW201/202/203
VW225/226)

VW220

EAN: 5603209022207
FLOOR + WALL CONNECTORS



LW & VW COMPATIBLE
(FOR VW225/226)

VW222

EAN: 5603209022221
RAIL/WALL CONNECTOR



VW COMPATIBLE
(FOR VW201/202/203)



EASY TO INSTALL
AND COMBINE

FREEDOM TO CREATE
MODULAR MOUNT
WITH **UNLIMITED**
CONFIGURATION

VW225

EAN: 5603209022252
ALUMINUM COLUMN 1800

VW226

EAN: 5603209022269
ALUMINUM COLUMN 2700

VW228

EAN: 5603209022283
LEG 1000



INTEGRATED
CABLE MANAGEMENT

LW & VW COMPATIBLE



LW & VW COMPATIBLE
(FOR VW225/226)

VW245

EAN: 5603209022450
FLOOR PLATE



VW COMPATIBLE
(FOR VW266)

VW266

EAN: 5603209022665
POLE PLATE



VW COMPATIBLE
(FOR VW211)



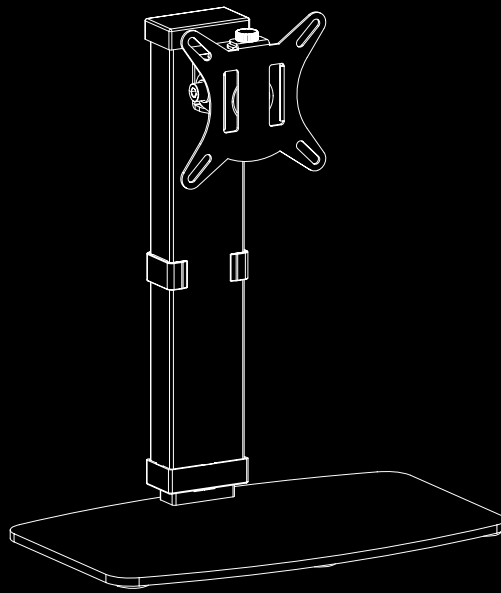
A photograph of two men in a server room or data center. They are sitting at a desk with multiple computer monitors. The man on the right is pointing at a monitor displaying code or data. The background is filled with rows of server racks and glowing lights, creating a blue and orange color palette. The text 'IT SOLUTIONS' is overlaid in the center in a white, outlined font.

IT SOLUTIONS

02

IT SOLUTIONS

FLOOR MOUNTS
DESK MOUNTS
WALL MOUNTS
ACCESSORIES FOR IT SOLUTIONS





FLOOR MOUNTS

ERGO SERIES

3
years
WARRANTY

20
years
WARRANTY

*GMD1130R FLOOR MOUNT

MPM002

EAN: 5603209001653



ADJUSTABLE WIDTH



CPU CART MOUNT
ADJUSTABLE WIDTH: 119-209MM

SW9100B

EAN: 5603209001639



ADJUSTABLE HEIGHT



INTEGRATED CABLE MANAGEMENT



13"-32"



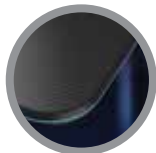
ADJUSTABLE HEIGHT: 1280-1600MM | TILT ±30° | ROTATION ±180°
HEIGHT ADJUSTABLE CPU HOLDER & KEYBOARD TRAY

GMD1130R

EAN: 5603209001745



INTEGRATED CABLE MANAGEMENT



TEXTURED DESK SURFACE



HEADPHONE HOLDER INCLUDED



CUP HOLDER INCLUDED



RGB LIGHTING GAMING DESK
MULTI COLOR CONTROL INCLUDED

DESK MOUNTS

ERGO SERIES

3
years
WARRANTY

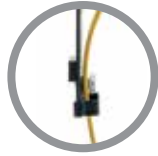
20
kg
WARRANTY



*DM3100 DESK MOUNT

DM1000

EAN: 5603209010181



CABLE MANAGEMENT INCLUDED

13"-32" | VESA 75X75 to 100X100 | 8 MAX | 90°

MOUNTING PROFILE: 37-89MM
10 HEIGHT POSITIONS | ROTATION ±180°

DM1010

EAN: 5603209010228



CABLE MANAGEMENT INCLUDED

13"-32" | VESA 75X75 to 100X100 | 7 MAX | 90°

GAS SPRING ADJUSTABLE HEIGHT: 352-462MM
TILT ±20° | SWIVEL ±45° | ROTATION ±180°

DM1020

EAN: 5603209010204



CABLE MANAGEMENT INCLUDED

13"-32" | VESA 75X75 to 100X100 | 8 MAX | 90°

ADJUSTABLE HEIGHT: 320-500MM
TILT +50° -20° | SWIVEL ±30° | ROTATION ±180°

DM1050

EAN: 5603209000496



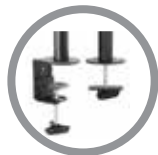
INTEGRATED CABLE MANAGEMENT

Up to 32" | VESA 75X75 to 100X100 | 15 MAX | 90°

HEIGHT: 501MM
TILT +45° -15° | SWIVEL ±180° | ROTATION ±180°

DM1100

EAN: 5603209111000



CLAMP/GROMMET BASE INCLUDED

13"-32" | VESA 75X75 to 100X100 | 8 MAX | 90°

HEIGHT: 443MM
TILT ±45° | SWIVEL ±90° | ROTATION ±180°

DM1101

EAN: 5603209000830



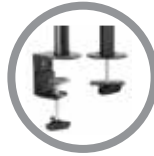
CABLE MANAGEMENT INCLUDED

13"-32" | VESA 75X75 to 100X100 | 8 MAX | 90°

HEIGHT: 465MM
TILT ±45° | SWIVEL ±90° | ROTATION ±180°

DM1120

EAN: 5603209001677



CLAMP/GROMMET BASE INCLUDED

13"-32" | VESA 75X75 to 100X100 | 8 MAX | 90°

HEIGHT: 443MM
TILT ±45° | SWIVEL ±90°/±180°/±90° | ROTATION ±180°

DM1200H

EAN: 5603209112007



2 DISPLAYS | 13"-32" | VESA 75X75 to 100X100 | 8 MAX DISPLAY | 90°

HEIGHT: 443MM
TILT ±45° | SWIVEL ±90°/±180°/±90° | ROTATION ±180°

DM1200V

EAN: 5603209112014



CLAMP/GROMMET BASE INCLUDED



2 DISPLAYS | 13"-32" | VESA 75X75 to 100X100 | 8 MAX DISPLAY | 90°

HEIGHT: 883MM
TILT ±45° | SWIVEL ±90° | ROTATION ±180°

DM1201H

EAN: 5603209000847



CABLE MANAGEMENT INCLUDED

2 DISPLAYS | 13"-32" | VESA 75X75 to 100X100 | 8 MAX DISPLAY | 90°

HEIGHT: 465MM
TILT ±45° | SWIVEL ±90°/±180°/±90° | ROTATION ±180°

DM3100

EAN: 5603209131008



EASILY ADJUSTABLE GAS SPRING



CLAMP/GROMMET BASE INCLUDED

13"-32" | VESA 75X75 to 100X100 | 2-9 MAX | 90°

GAS SPRING ADJUSTABLE HEIGHT: 160-410MM
TILT +90° -45° | SWIVEL ±180°/±180°/±90° | ROTATION ±180°

DM3200

EAN: 5603209132005



INTEGRATED CABLE MANAGEMENT

2 DISPLAYS | 13"-32" | VESA 75X75 to 100X100 | 2-9 MAX DISPLAY | 90°

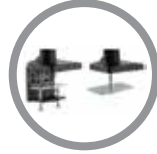
GAS SPRING ADJUSTABLE HEIGHT: 160-410MM
TILT +90° -45° | SWIVEL ±180°/±180°/±90° | ROTATION ±180°

DM4200

EAN: 5603209001684



INTEGRATED
CABLE MANAGEMENT



CLAMP/GROMMET BASE
INCLUDED

2 DISPLAYS | 17"-32" | VESA 75X75 to 100X100 | 1-9 MAX DISPLAY | 90°

GAS SPRING ADJUSTABLE HEIGHT: 265-595MM
TILT ±10° | SWIVEL ±180°/±180°/±90°/±10° | ROTATION ±180°

DM4300

EAN: 5603209001691



3 DISPLAYS | 17"-27" | VESA 75X75 to 100X100 | 1-6 MAX DISPLAY | 90°

GAS SPRING ADJUSTABLE HEIGHT: 265-595MM
TILT ±10° | SWIVEL ±180°/±180°/±90°/±10° | ROTATION ±180°

DM5100

EAN: 5603209001707



BUILT-IN
HEADPHONE HOLDER

13"-32" | VESA 75X75 to 100X100 | 8 MAX | 90°

ADJUSTABLE HEIGHT: 295-430MM
TILT ±15° | SWIVEL ±30° | ROTATION ±180°

DM5200

EAN: 5603209001714

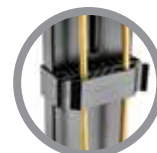


2 DISPLAYS | 17"-27" | VESA 75X75 to 100X100 | 7 MAX DISPLAY | 90°

ADJUSTABLE HEIGHT: 275-450MM
TILT ±15° | SWIVEL ±15° | ROTATION ±180°

DM6100

EAN: 5603209001721



CABLE MANAGEMENT
INCLUDED



CLAMP/GROMMET BASE
INCLUDED

13"-32" | VESA 75X75 to 100X100 | 8 MAX | 90°

ADJUSTABLE HEIGHT: 260-450MM
TILT ±10° | SWIVEL ±10° | ROTATION ±180°

DM6200

EAN: 5603209001738



2 DISPLAYS | 17"-27" | VESA 75X75 to 100X100 | 7 MAX DISPLAY | 90°

ADJUSTABLE HEIGHT: 240-470MM
TILT ±10° | SWIVEL ±10° | ROTATION ±180°

ERGO100

EAN: 5603209041000



Up to 17"



TILT ±14°

ERGO110

EAN: 5603209041109



HEIGHT: 144MM | MAX WIDTH: 370MM
2 SHELVES

ERGO120

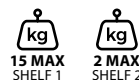
EAN: 5603209000878



HEIGHT: 100MM | WIDTH: 370MM
1 SHELVE

ERGO300

EAN: 5603209000687



GAS SPRING ADJUSTABLE HEIGHT: 100-505MM
GAS SPRING

ERGO400

EAN: 5603209000861



ERGONOMIC FOOTREST | ANTI SKID PADS
TILT ±20°

ERGO500

EAN: 5603209001646



ERGONOMIC CLAMP-ON MONITOR RISER
HEAVY DUTY CLAMP BASE

MPM001

EAN: 5603209110010



PC NUC / MEDIA PLAYER MOUNT
CLAMP TO POLE MOUNTING PADS | STRAP INCLUDED

MPM003

EAN: 5603209001660



DESK / WALL CPU MOUNT
WIDTH: 155-235MM | DEPTH: 208-258MM | SWIVEL ±180°

MPM011

EAN: 5603209000519



PC NUC / MEDIA PLAYER MOUNT
MAX WIDTH: 202MM



MPM012

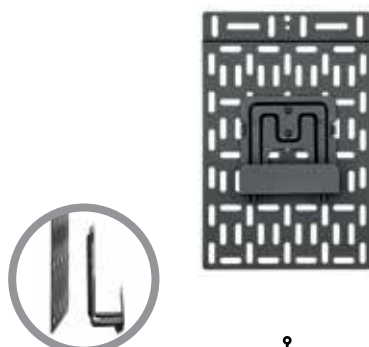
EAN: 5603209000526



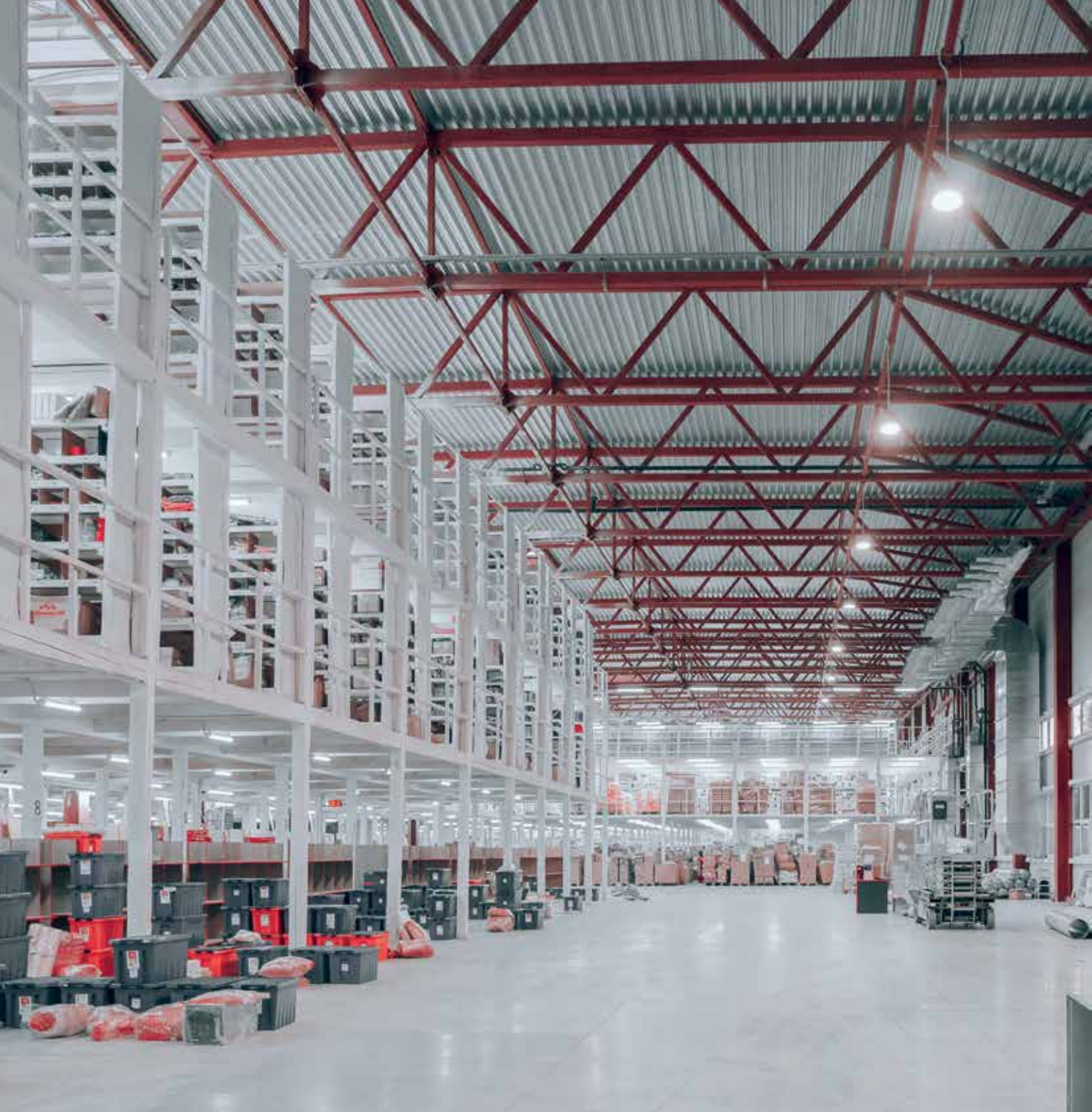
PC NUC / MEDIA PLAYER MOUNT
MAX WIDTH: 342MM

MPM013

EAN: 5603209000533



PC NUC / MEDIA PLAYER MOUNT
MAX WIDTH: 342MM



WALL MOUNTS

ERGO SERIES

3
years
WARRANTY

20
years
WARRANTY

SW1100

EAN: 5603209011119



INTEGRATED
CABLE MANAGEMENT

SW1120

EAN: 5603209000854



INTEGRATED
CABLE MANAGEMENT

Up to 32"



GAS SPRING ADJUSTABLE HEIGHT: 250MM
TILT +90° -45° | SWIVEL ±90°/±90° | ROTATION ±180°

17"-32"



GAS SPRING ADJUSTABLE HEIGHT: 250MM
TILT +90° -45° | SWIVEL ±90°/±180°/±90° | ROTATION ±180°

EX200DM

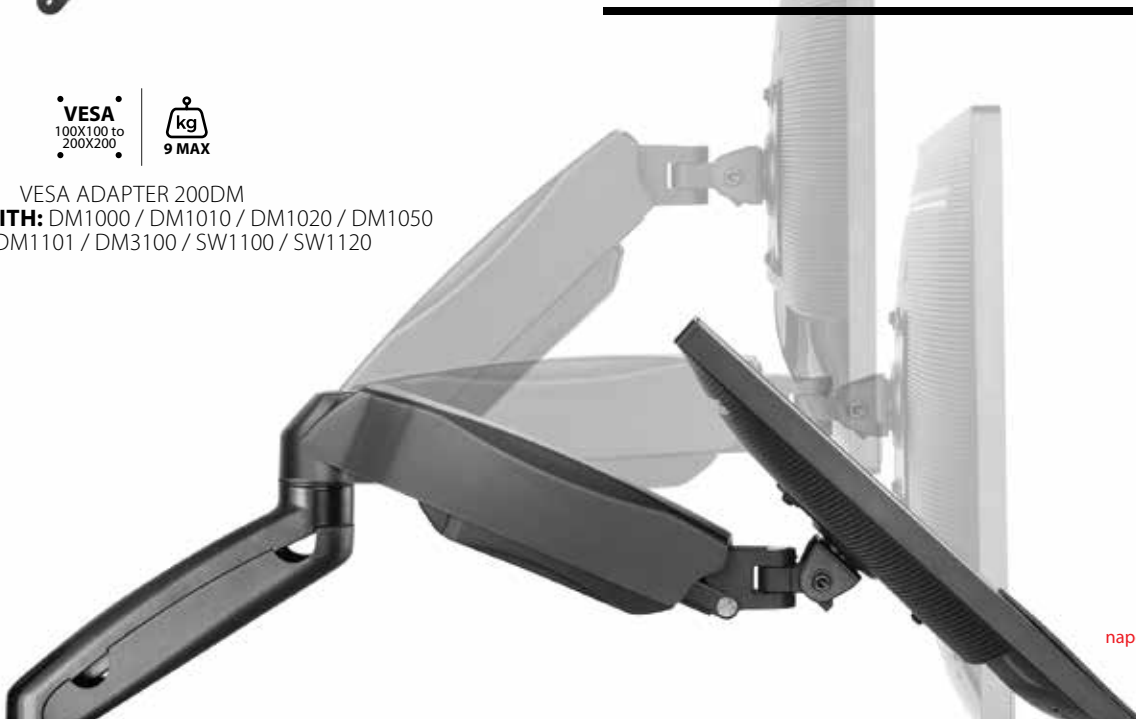
EAN: 5603209000892



VESA ADAPTER 200DM

COMPATIBLE WITH: DM1000 / DM1010 / DM1020 / DM1050
DM1100 / DM1101 / DM3100 / SW1100 / SW1120

ACCESSORIES FOR IT SOLUTIONS



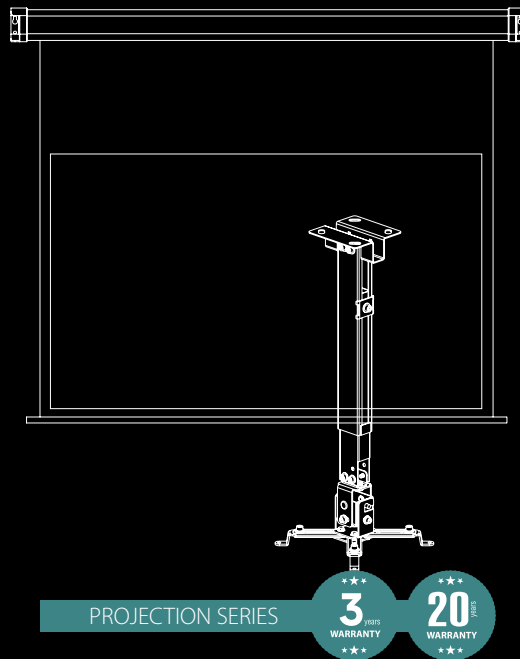
A woman with blonde hair, wearing a blue button-down shirt, stands in a modern office setting, smiling and presenting to a group of people seated around a large wooden conference table. The room features a brick wall and large windows. The text "PROJECTION SOLUTIONS" is overlaid in white, outlined letters across the center of the image.

PROJECTION SOLUTIONS

03

PROJECTION SOLUTIONS

ELECTRIC SCREENS
MANUAL SCREENS
TRIPOD SCREENS
PROJECTOR MOUNTS

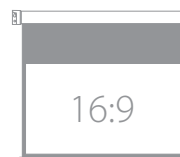
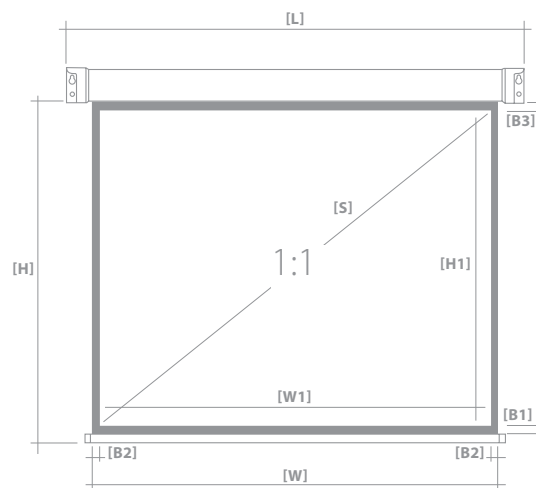
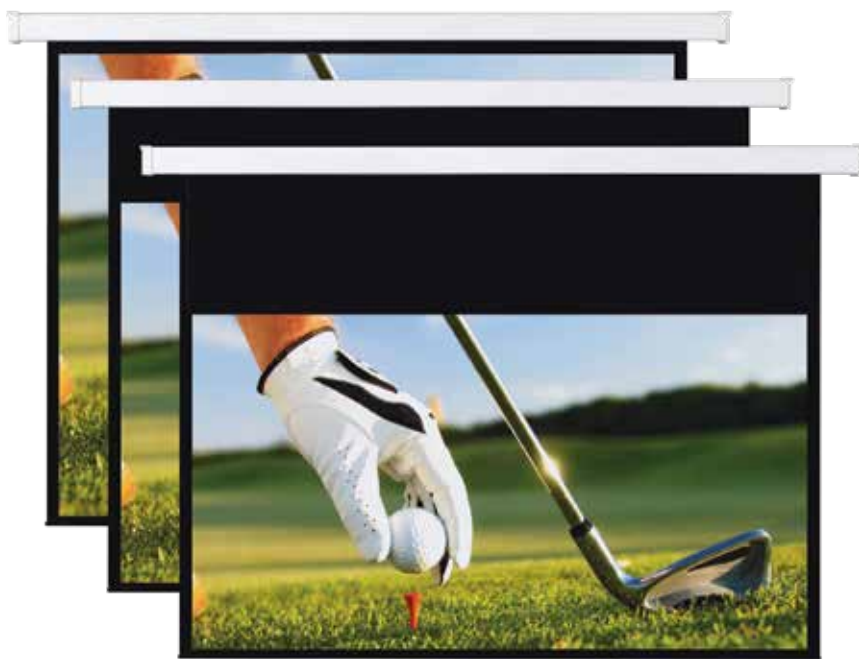


ELECTRIC SCREENS



220V
SILENT TUBULAR
MOTOR

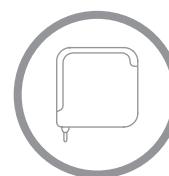
SELF
LOCKING
SCREEN



**MATTE WHITE
SCREEN /
BLACKOUT**



**WALL SWITCH
AND RF REMOTE**
CVR001
EAN: 5603209030011
INCLUDED



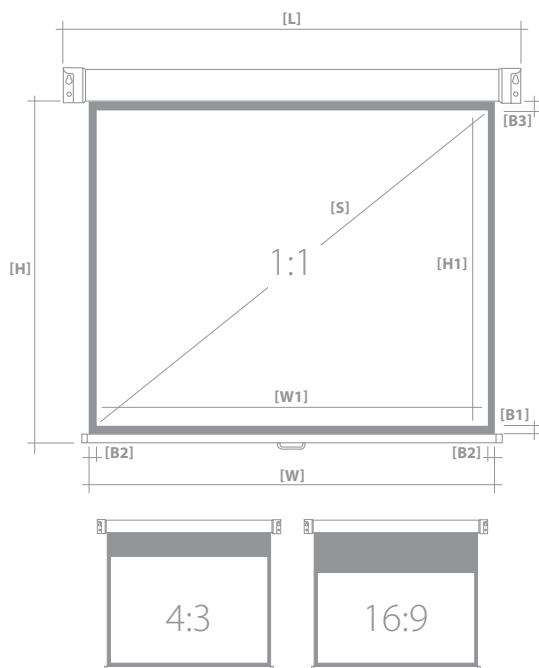
HOUSING (SQUARE)
CAN BE INSTALLED ON THE
WALL OR CEILING

REF.	EAN	RATIO	IMAGE SIZE			SCREEN SIZE		BLACK BORDERS			HOUSING SIZE
			INCHES [S]	WIDTH [W1]	HEIGHT [H1]	WIDTH [W]	HEIGHT [H]	LEFT/RIGHT [B2]	TOP [B3]	LOW [B1]	WIDTH x HEIGHT x LENGTH [L]
E11-1800	5603209000151	1:1	96"	1740	1740	1800	1800	30	30	30	85 x 85 x 1945
E11-2080	5603209000168		112"	1940	1940	2000	2000	30	30	30	95 x 95 x 2145
E11-2480	5603209000175		135"	2300	2300	2400	2400	50	50	50	95 x 95 x 2545
E11-3080	5603209000182		167"	2900	2900	3000	3000	50	50	50	110 x 110 x 3145
E43-2480	5603209000205	4:3	120"	2400	1800	2500	2050	50	200	50	85 x 85 x 2645
E43-3080	5603209000212		150"	3000	2250	3100	2500	50	200	50	95 x 95 x 3245
E43-4080	5603209000229		200"	4000	3000	4100	3250	50	200	50	110 x 110 x 4245
E169-2080	5603209000236	16:9	90"	2000	1120	2060	1450	30	300	30	85 x 85 x 2205
E169-2480	5603209000243		108"	2440	1350	2500	1700	50	300	50	90 x 90 x 2645
E169-3080	5603209000250		135"	3000	1680	3100	2030	50	300	50	95 x 95 x 3245
E169-4080	5603209000403		180"	4000	2250	4100	2600	50	300	50	110 x 110 x 4245

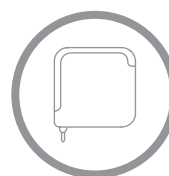
MANUAL SCREENS



15 TO 15CM
LOCKING
SCREEN



**MATTE WHITE
SCREEN /
BLACKOUT**



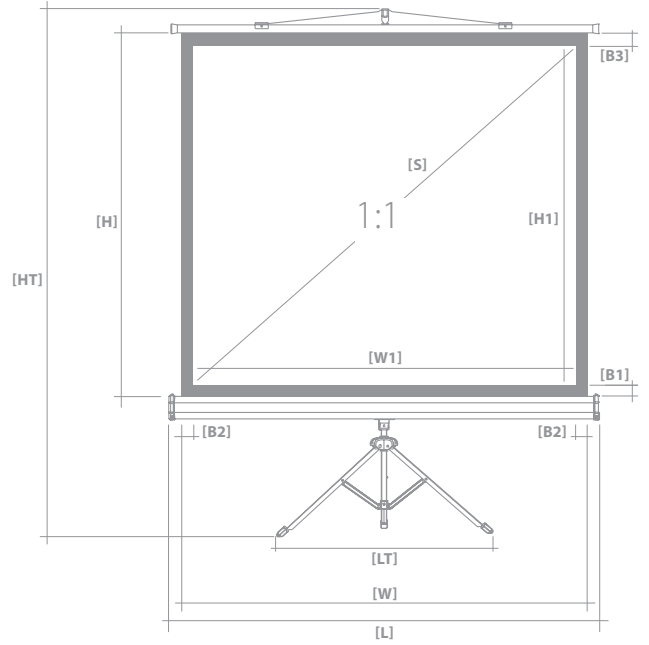
HOUSING (SQUARE)
CAN BE INSTALLED ON THE
WALL OR CEILING

REF.	EAN	RATIO	IMAGE SIZE		SCREEN SIZE		BLACK BORDERS			HOUSING SIZE	
			INCHES [S]	WIDTH [W1]	HEIGHT [H1]	WIDTH [W]	HEIGHT [H]	LEFT/RIGHT[B2]	TOP [B3]	LOW [B1]	WIDTH x HEIGHT x LENGTH [L]
S11-1530	5603209000069	1:1	80"	1440	1440	1500	1500	30	30	30	70 x 70 x 1620
S11-1800	5603209000076		96"	1740	1740	1800	1800	30	30	30	70 x 70 x 1920
S11-2080	5603209000083		112"	1940	1940	2000	2000	30	30	30	80 x 80 x 2120
S11-2480	5603209000090		135"	2300	2300	2400	2400	50	50	50	80 x 80 x 2520
S11-3080	5603209000106		167"	2900	2900	3000	3000	50	50	50	105 x 105 x 3120
S43-2080	5603209000113	4:3	100"	2000	1500	2060	1730	30	200	30	80 x 80 x 2180
S43-2480	5603209000120		120"	2400	1800	2500	2050	50	200	50	80 x 80 x 2620
S43-3080	5603209000137		150"	3000	2250	3100	2500	50	200	50	90 x 90 x 3220
S169-1800	5603209000298	16:9	77"	1720	970	1780	1300	30	300	30	70 x 70 x 1900
S169-2080	5603209000304		90"	2000	1120	2060	1450	30	300	30	75 x 75 x 2180
S169-2480	5603209000311		108"	2400	1350	2500	1700	50	300	50	80 x 80 x 2620
S169-3080	5603209000328		135"	3000	1680	3100	2030	50	300	50	105 x 105 x 3220

TRIPOD SCREENS



KEYSTONE
CORRECTION



**MATTE WHITE
SCREEN /
BLACKOUT**

CARRYING BAG



**CARRYING BAG FOR
TRIPOD SCREENS**
OPTIONAL

REF.	EAN	RATIO	IMAGE SIZE			SCREEN SIZE		BLACK BORDERS			HOUSING SIZE	TRIPOD	
			INCHES [S]	WIDTH [W1]	HEIGHT [H1]	WIDTH [W]	HEIGHT [H]	LEFT/RIGHT [B2]	TOP [B3]	LOW [B1]	WIDTH x HEIGHT x LENGTH [L]	[HT]	[LT]
T11-1280	5603209000014	1:1	67"	1190	1190	1250	1250	30	30	30	70 x 70 x 1330	1610-2420	830
T11-1530	5603209000021		80"	1440	1440	1500	1500	30	30	30	70 x 70 x 1580	1610-2420	830
T11-1800	5603209000038		96"	1740	1740	1800	1800	30	30	30	70 x 70 x 1880	1860-2990	1100
T11-2080	5603209000045		112"	1940	1940	2000	2000	30	30	30	70 x 70 x 2080	1860-2990	1100
T11-2480	5603209000052		135"	2340	2340	2440	2440	50	50	50	70 x 70 x 2480	1850-3120	1040
ST11-1280	5603209000359	CARRYING BAG FOR TRIPOD SCREENS		Carring Bag for T11-1280									
ST11-1530	5603209000366	CARRYING BAG FOR TRIPOD SCREENS		Carring Bag for T11-1530									
ST11-1800	5603209000373	CARRYING BAG FOR TRIPOD SCREENS		Carring Bag for T11-1800									
ST11-2080	5603209000380	CARRYING BAG FOR TRIPOD SCREENS		Carring Bag for T11-2080									
ST11-2480	5603209000397	CARRYING BAG FOR TRIPOD SCREENS		Carring Bag for T11-2480									

340W

EAN: 5603209003411



225-316MM | 20 MAX

TOTAL HEIGHT: 130 MM
TILT ±15° | LEVEL ±8°

350S

EAN: 5603209003503

CEILING
WALL
MOUNT



225-316MM | 20 MAX

ADJUSTABLE (CEILING): 430-650MM | ADJUSTABLE (WALL): 350-560MM
TILT ±15° | LEVEL ±8° | ANGLED CEILING 90°

350W

EAN: 5603209003510



CEILING
WALL
MOUNT

225-316MM | 20 MAX

ADJUSTABLE (CEILING): 430-650MM | ADJUSTABLE (WALL): 350-560MM
TILT ±15° | LEVEL ±8° | ANGLED CEILING 90°

360S

EAN: 5603209003602



225-316MM | 20 MAX

ADJUSTABLE HEIGHT: 730-1200MM
TILT ±15° | LEVEL ±8°

360W

EAN: 5603209003619



225-316MM | 20 MAX

ADJUSTABLE HEIGHT: 730-1200MM
TILT ±15° | LEVEL ±8°

370

EAN: 5603209003701



130-320MM | 10 MAX

ADJUSTABLE HEIGHT: 130-1060MM
TILT ±15° | ROTATION 360°

PWM1500B

EAN: 5603209001790



INTEGRATED
CABLE MANAGEMENT



SHORT
THROW
PROJECTOR



ADJUSTABLE TELESCOPIC ARM: 926-1518MM
TILT $\pm 15^\circ$ | LEVEL $\pm 15^\circ$ | SWIVEL $\pm 180^\circ$

PFMT220T

EAN: 5603209001783



INTEGRATED
BUBBLE LEVEL



NYLON BAG
INCLUDED



SAFETY STRAPS
INCLUDED



ADJUSTABLE HEIGHT: 470-910MM | SHELF: 380X280MM
TILT $\pm 20^\circ$



SOLUTIONS FOR

Interactive Displays	08-10, 14, 18, 45, 48
Led Wall	13, 19, 52
Menu Board	09, 21, 24-25, 32-33, 53
Video Wall	15-16, 22-23, 26, 34, 38-39, 50
Videoconference	07-10, 55
Cpu / Gaming	63, 69
Monitors	63-68, 71
Projectors	74-78

napofix.pt

Distributed by:



MOUNT SOLUTIONS

PROJECTION SCREENS

napofix.pt